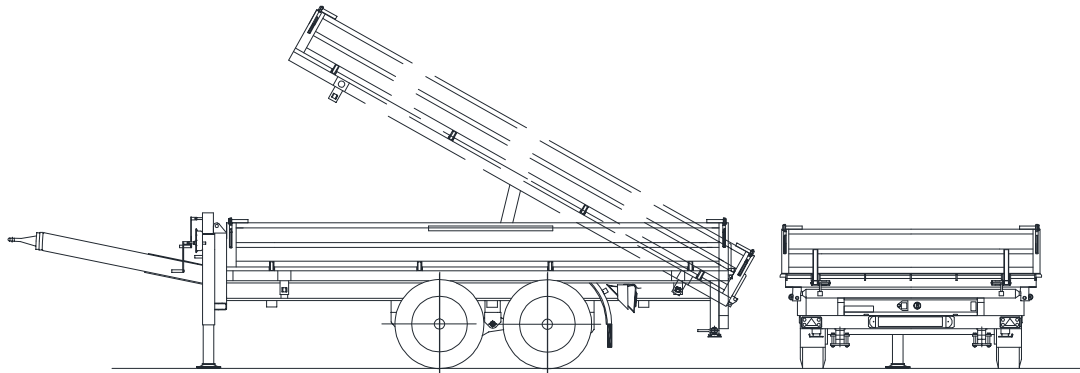


Order-No. 863/8900

Tandem-three side tipper and low bed trailer, with slide-in aluminium loading ramps, COC

Weights:	total weight thereof tongue weight maximum payload in standard model approx. empty weight approx.	8900 kg 500 kg 6450 kg 2450 kg
Measures:	loading area inside approx. (length x width) side height loading height empty approx. drawbar length approx coupling height empty approx. total measures length x width approx.	4500 x 2300 mm 400 mm 880 mm 1800 mm max. ca. 1020 mm 6550 x 2400 mm
Ramps:	length approx. width approx. elevation approx.	3300 mm 400 mm 15° degrees
Hydraulic system:	Tilting angle backwards /sideways approx. oil consumption approx.	45°/45° degrees 9,0 litres
Tyres:	Size	215/75 R 17,5 4- times



- Axles:** Fast-running axles type GFA with S-cam brakes, leaf spring and weight adjustment
- Brakes:** Pressure air brake, testing sockets, connection hoses with mix-up safe couplings, 24V-antilock braking system (ABS), immobilisation brake
- Drawbar:** Drawbar made of hot-manufactured hollow profile of quality S355, continuously adjustable with a winch, with a truck drawbar eye (40mm), adjustable in the height from approx. 0,72cm up to 1,02m
- Chassis frame:** Electro-welded, sturdy construction made of prime steel, stronger underrun protection reg. ECE R58-03
- Upper body:** Bridge floor made of **HARDOX steel of the quality 450**; tilt frame made of a robust construction with half ball shells (noise absorbing); sidewalls laser welded and can be folded sideways by strong hinges; tailboard oscillating; corner posts pluggable in the back; embedded in the bottom, 2 lash eyes in front (4000daN), 2 lash rings in the back (4000daN) welded on
- Hydraulic system:** Motor-hydraulic; with heavy 3-step tip cylinder and lift limiter; plug coupling and single circuit connection
- Support:** Support winch in front with load and fast gear, two parking supports in the corner posts in the back assured by support legs
- Ramps:** Aluminium loading ramps, can be stored below the loading area; supported by rolls; can be locked by a strong steel valve; bearing load/pair 8000kg; weight approx. 56 kg a piece
- Electric:** Splash water resistant lighting according to ECE-directive ECE-R 48.03 (Multi-chamber light, securely attached in underrun protection, LED-track-, marker- and position-lights sideways); 24 voltage, 7+7 - or 15-pole depending on customers request
- Varnishing:** Steel parts are steelgrain-blasted, pretreatment with iron phosphate; corrosion blocking zinc phosphate-base coat, electro statically primed and varnished in Acryl-RAL customer chosen colour (High-Solid), then cavity sealing with conserving wax
- Accessories:** Two brake shoes with handle, Anti-spray mats, EC-type approval, contour marking in accordance with ECE-R 104, TÜV-homologation