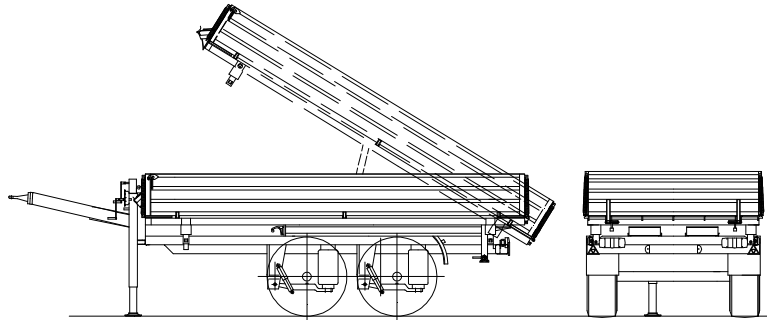


Order-No. 890/18000

Tandem-Three side tipper and low bed trailer, with slide-in aluminium loading ramps underneath the loading area, with air suspension

Weights:	Total weight Thereof support load Payload in standard equipment approx. Empty weight approx.	18000 Kg 1000 kg 13900 kg 4100 kg
Measures:	Loading area inside approx. (Length x Width) Side height Loading height empty approx. Drawbar length approx. Coupling height empty approx. Total measures length x width approx.	5000 x 2420 mm 600 (front-sides)/500 back mm 1250 mm 1800 mm max. approx. 1020 mm 7030 x 2550 mm
Ramps:	Length approx. Width approx. Elevation approx.	3500 mm 400 mm 17° degrees
Hydraulic:	Tipping angle backwards/sideways approx. Oil demand approx.	44°/45° degrees 14,5 litres
Tyres:	Size	385/65 R 22,5 4-times



- Axles:** Fast-running axles **type Gigant** with air suspension
- Brakes:** Pressure air brake **EBS (24V)** with **TEM** (automatic park brake), testing sockets, connection hoses with mix-up safe couplings and **spring-loaded brakes**
- Drawbar:** Drawbar made of hot-manufactured hollow profile of quality S355, continuously adjustable with a winch, with a truck drawbar eye (40mm), adjustable in the height from approx. 0,72m up to 1,02m
- Chassis frame:** Sturdy electro welded steel construction made of profile steel (IPE and UNP profiles of the quality S355)
- Upper body:** Floor made of one panel of **HARDOX® steel of the quality 450**; tipping frame in a sturdy design with 4 half ball shells (noise absorbing), all around steel walls made of fine grain steel, hinged sideways with strong hinges; back steel wall swivel-mounted with central locking; rear posts pluggable; 1 pair of lashing trays (2500 daN) welded in the middle of the floor, in the corners lashing hooks (5000daN), lashing rings (5000daN) welded at the back
- Hydraulics:** Motor hydraulics, with a single heavy duty tipping cylinder (with 4 layers) and stroke limiter, plug coupling as single circuit connection
- Support:** At the front 10to gear supported jack with load and overdrive speed; at the back two telescopic supporting jacks with mechanical protection
- Ramps:** **Aluminium-loading rails**, retractable under the loading floor, supported by rolls, lockable with a solid steel cover, **payload/pair 9000kg** (with 2m wheelbase); weight per unit approx. 56kg
- Electrics:** Splash-waterproof lighting regarding ECE-direction ECE-R 48.03 (multi-chamber light, mounted in a steel case, LED-side lights), 24V, 7+7- or 15-poles
- Varnishing:** Steel parts grit blasted and pretreated, electrostatically primed and varnished with iron phosphating; anticorrosive zinc-phosphate priming; electrostatically varnished in two Acrylic-RAL colours (High-Solid) to your information, finished with cavity sealing with wax
- Accessories:** 2 brake shoes with holders; only with German TÜV approval available!

