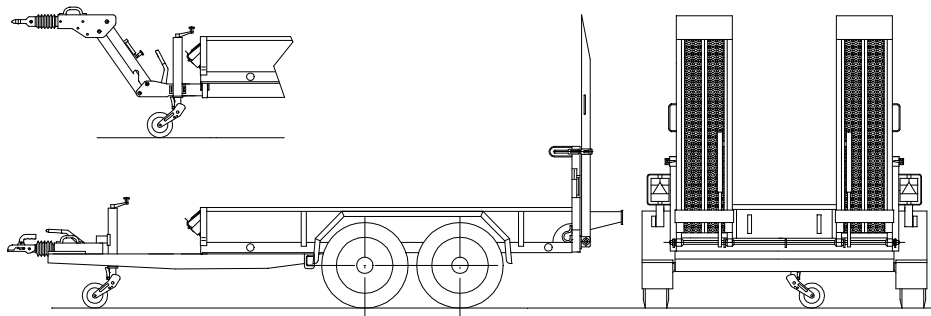


Order-No. 441/3500

Tandem-Mini low bed trailer with sideways adjustable ramps

Weights:	total weight thereof tongue weight maximum payload in standard model approx. empty weight approx.	3500 Kg 150 kg 2700 kg 800 kg
Measures:	loading area inside approx. (length x width) side height loading height empty approx. drawbar length approx coupling height empty approx. total measures length x width approx.	3000 x 1700 mm 280 mm 560 mm 1500 mm 420 mm 5050 x 2230 mm
Ramps:	length approx. width approx. elevation approx.	1800 mm 440 mm 18° Grad
Bereifung:	Size	14" 4-times

continuously adjustable drawbar



V-drawbar

- Axles:** Maintenance-free rubber spring axles with precision bearings
- Brakes:** Surge brake system (with effect to all tyres); immobilisation brake
- Drawbar:** V-drawbar with car-coupling
- Chassis frame:** self-supporting, buckling resistant frame, sturdily electro welded steel construction made of steel shapes; deep lying focal point between the tyres
- Upper body:** Sidewalls made of steel, front- and sidewalls are strengthened, mudguards made of steel plate, welded on solidly and accessible, plywood wall between the ramps; impregnated wooden bottom made of spruce wood with tongue and groove 30mm strong; lashing hooks in the corners (2000daN) and two pairs of lash rings embedded in the trailer bottom (1500daN)
- Support:** Support wheel in front, fixed support feet on the ramps
- Ramps:** Made of zinc coated perforated metal plate; sideways adjustable and easy to lock by an eccentric clasp; with a gas-filled shock absorber as a lifting assistance
- Electric:** Lighting according to ECE-directive ECE-R 48.03 (Multi-chamber light with an integrated back-up light and a fog warning lamp attached on the steel frame, marker lights sideways, position light in front); 12-voltage, 13-pole connecting plug
- Varnishing:** Vehicle is completely galvanized, rims in silver
- Accessories:** Two brake shoes with handle; EC type approval/COC